

x2 Signs

Material: Arlon Self Adhesive Vinyl - Airflow / 3mm rigid composite board

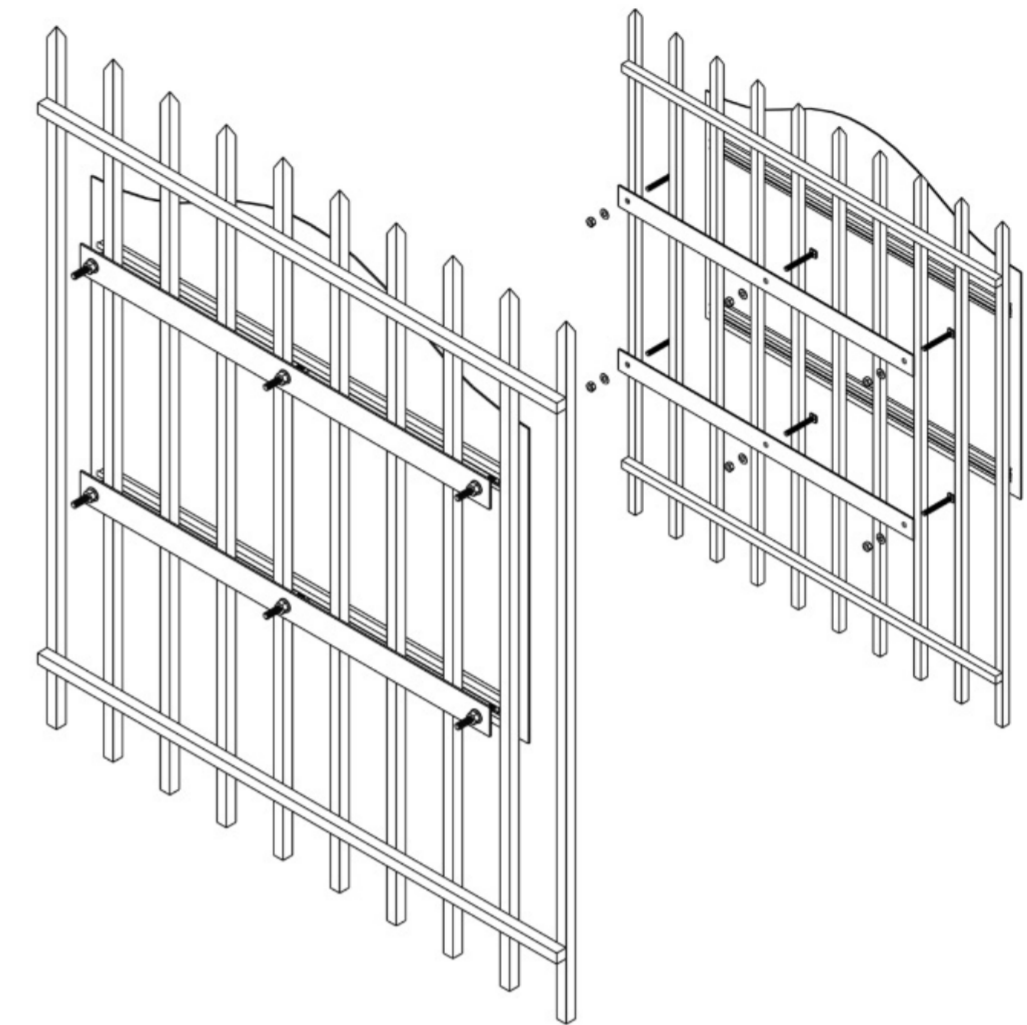
Size: 210mm wide x 297mm high

Colour: CMYK

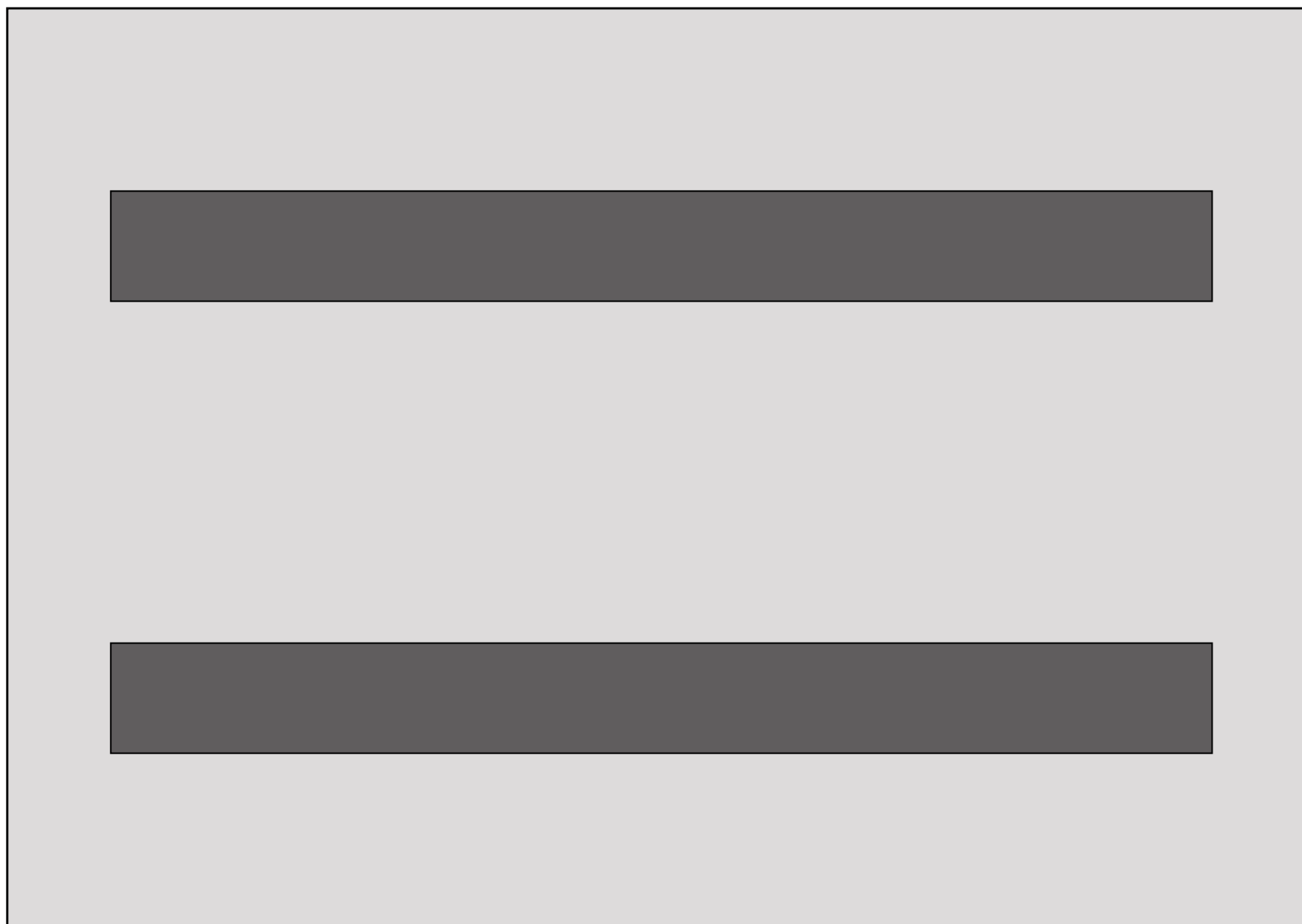
Finish: Printed to face with gloss laminate seal

Note: Comes with channeling and fence fixing kit

Opt 1



Fence fixing kit example



221161 - Visual (Melbourn Parish Council)

x2 Signs

Material: Arlon Self Adhesive Vinyl - Airflow / 3mm rigid composite board

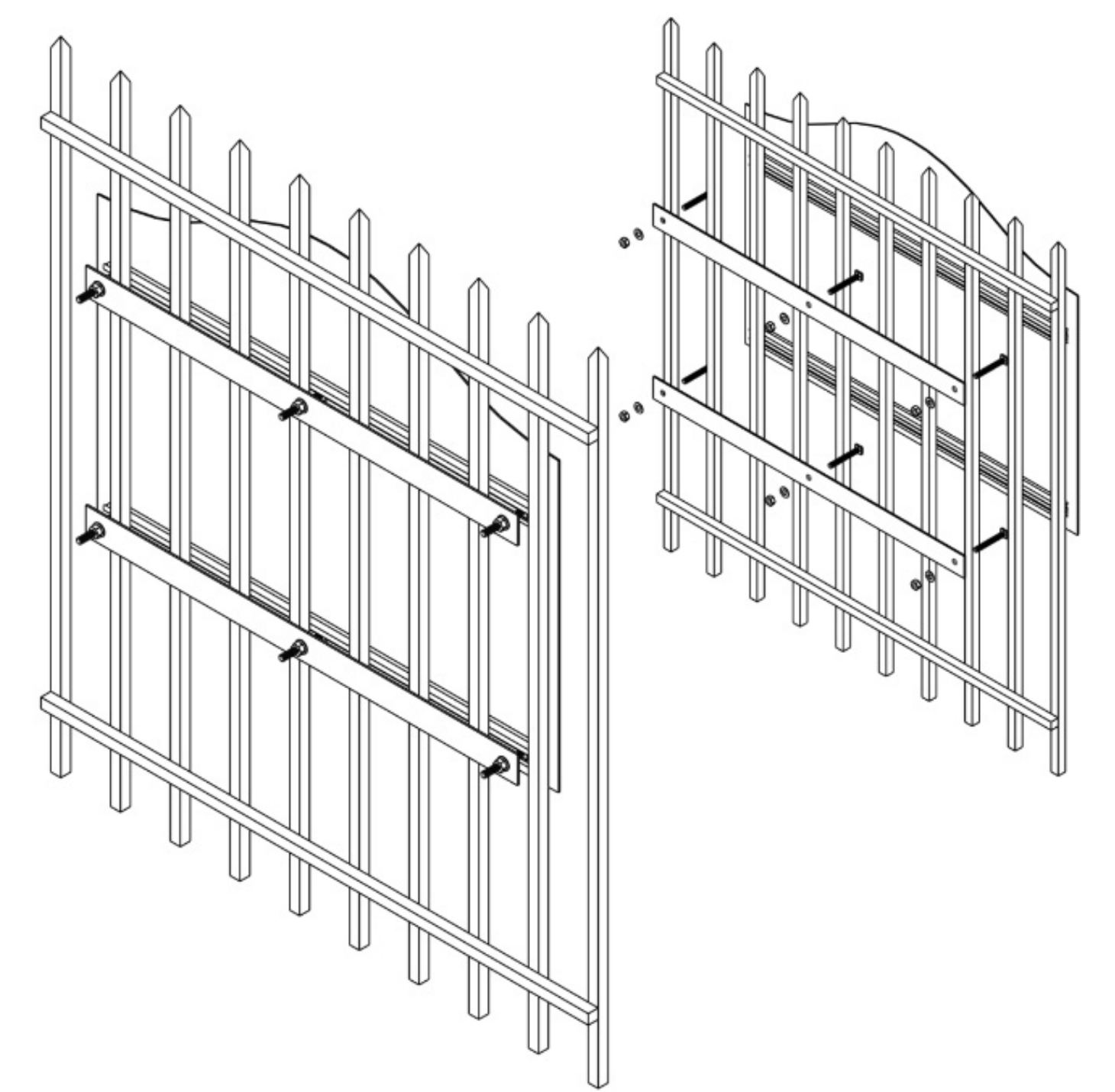
Size: 297mm wide x 420mm high

Colour: CMYK

Finish: Printed to face with gloss laminate seal

Note: Comes with channeling and fence fixing kit

Opt 2



Fence fixing kit example

**TOXOCARIASIS CAN  
CAUSE BLINDNESS  
IN CHILDREN**

**NO DOGS ALLOWED**

